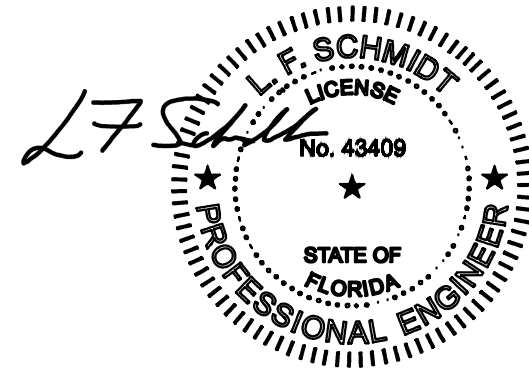
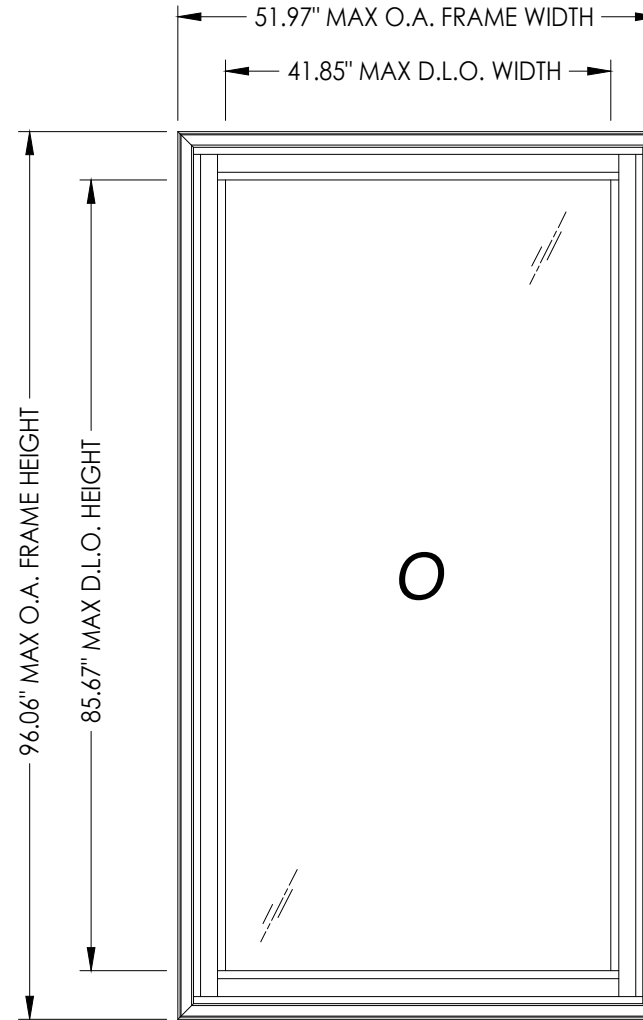




250 Staunton Turnpike, Parkersburg, WV 26104

400/500 Series Vinyl Sidelite Window "NON-IMPACT"



This item has been digitally signed and sealed by L. F. Schmidt, P.E. on the date adjacent to the seal. Printed copies of this document are not considered signed and sealed and the signature must be verified on any electronic copies.

THIS PRODUCT APPROVAL IS VALID ONLY FOR THE STATE OF FLORIDA

GENERAL NOTES

- This product has been evaluated and is in compliance with the 8th Edition (2023) Florida Building Code (FBC) structural requirements excluding the "High Velocity Hurricane Zone" (HVHZ).
- Product anchors shall be as listed and spaced as shown on details. Anchor embedment to base material shall be beyond wall dressing or stucco.
- When used in areas requiring wind borne debris protection this product is required to be protected with an impact resistant covering that complies with FBC Sections 1609.1.2 & R301.2.1.2.
- For 2x stud framing construction, anchoring of these units shall be the same as that shown for 2x buck masonry construction.
- Site conditions that deviate from the details of this drawing require further engineering analysis by a licensed engineer or registered architect.

TABLE OF CONTENTS	
SHEET#	DESCRIPTION
1	Typical elevations, design pressures and general notes
2	Horizontal & vertical cross sections
3	Buck & frame anchoring
4	Bill of materials, components and glazing details

MAX. FRAME DIMENSION	MAX. D.L.O. DIMENSION	GLASS TYPE	DESIGN PRESSURE (PSF)	
			POSITIVE	NEGATIVE
51.97" X 96.06"	41.85" X 85.67"	G1, G2	+35.0	-35.0

Documents Prepared By:
Lyndon F. Schmidt
P.E. No. 43409

RW BUILDING CONSULTANTS, INC.
P.O. Box 230, Vairico, FL 33595
Phone No.: 813.659.9197
FBPE Registry No. 9813

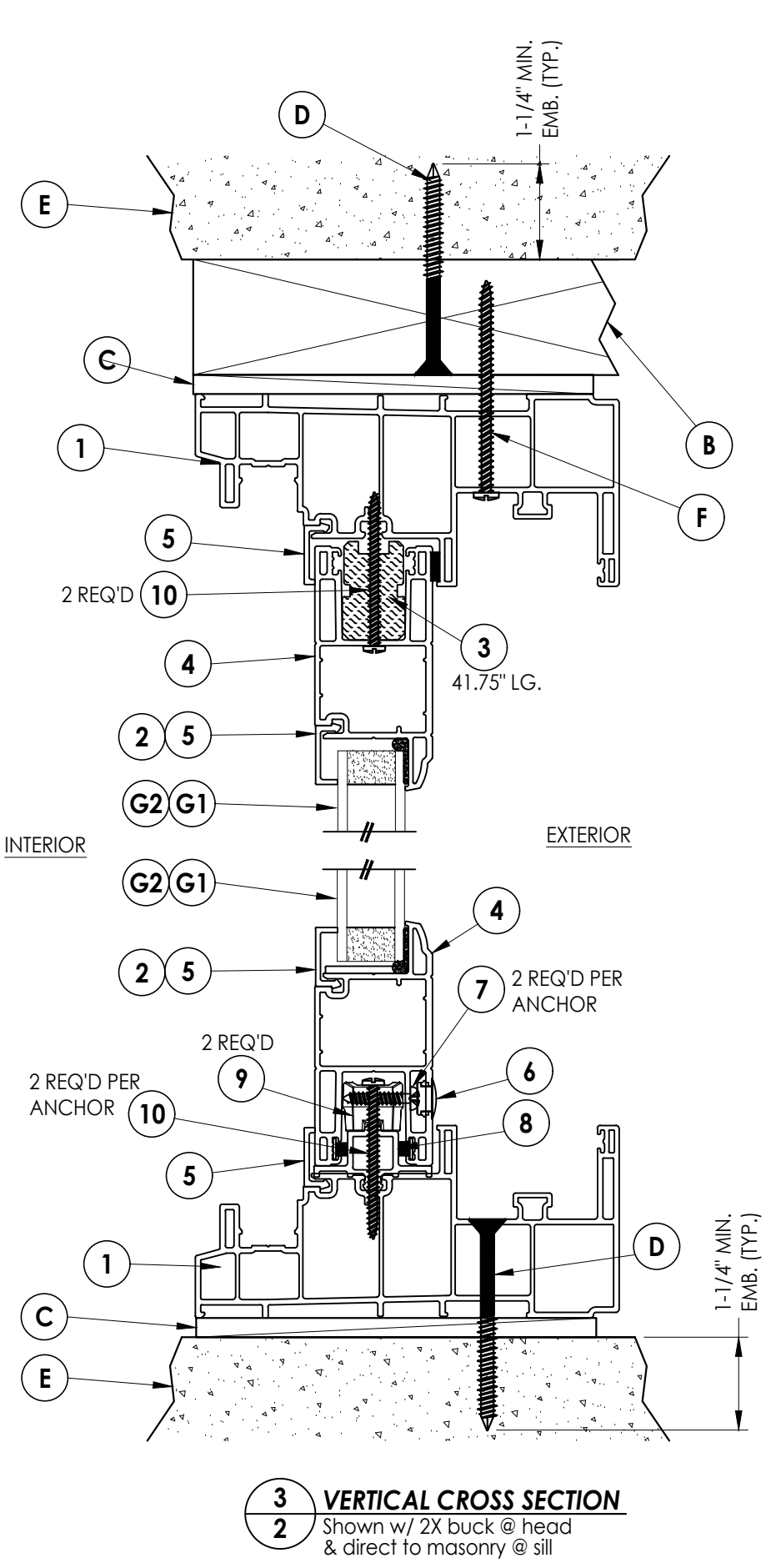
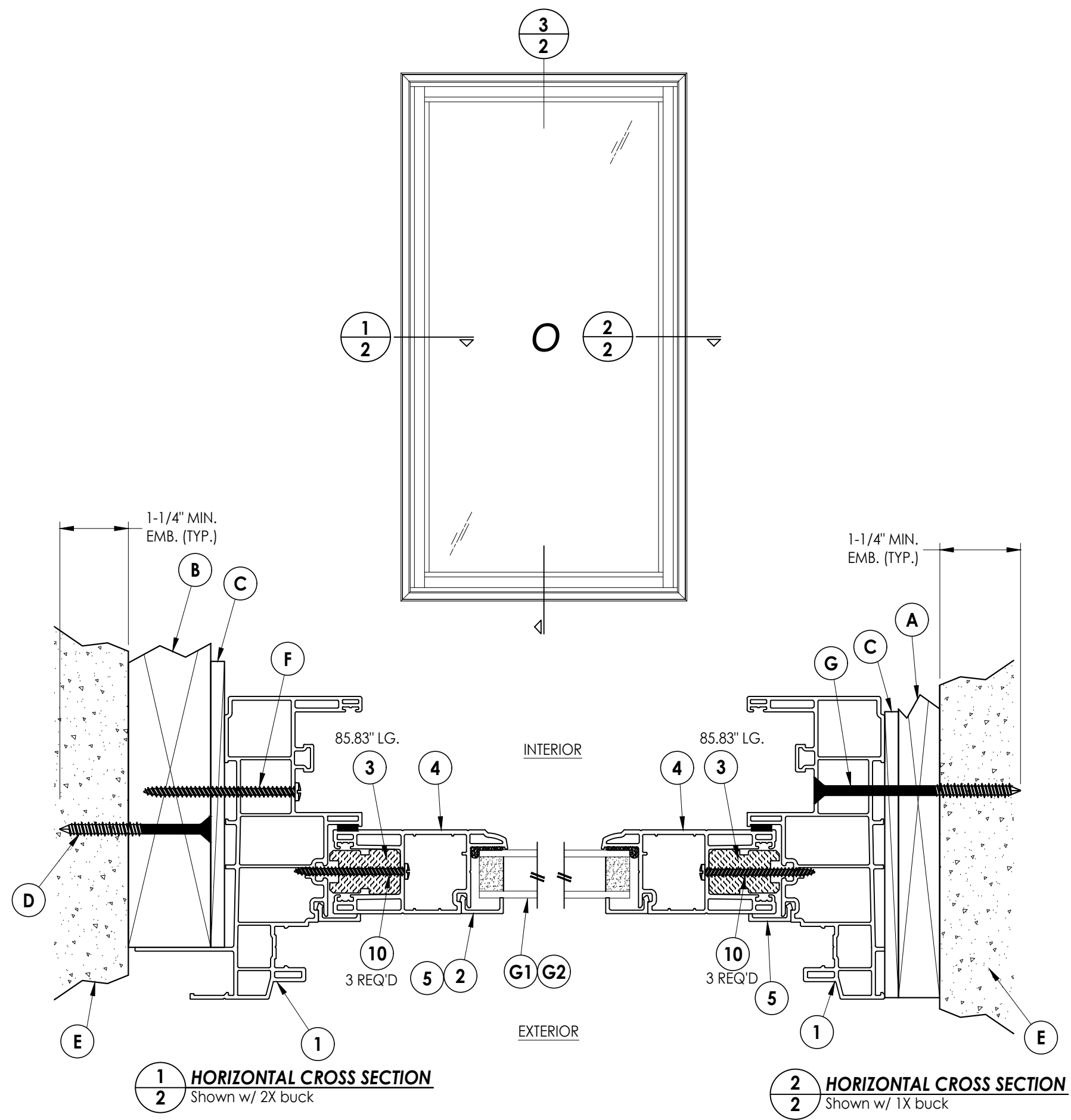
PRODUCT: 400/500 SERIES SIDELITE WINDOW

PART OR ASSEMBLY: TYPICAL ELEVATION, DESIGN PRESSURES & GENERAL NOTES

NO.	DATE	BY	REVISIONS
4	7/06/23	LFS	UPDATE TO 8TH ED. (2023) FBC
3	7/06/20	LFS	UPDATE TO 7TH ED. (2020) FBC
2	6/01/17	LFS	UPDATE TO 6TH ED. (2017) FBC
1	2/09/15	LFS	UPDATE TO 5TH ED. (2014) FBC

DATE: 8/18/14
SCALE: N.T.S.
DWG. BY: JK
CHK. BY: LFS
DRAWING NO.: FL-15816.11
SHEET 1 OF 4

Z:\2023 FBC Drawings\Wincore Window Company\FL-15816 R1\FL-15816.9-12.dwg



Documents Prepared By:
 Lyndon F. Schmidt
 P.E. No. 43409

RW BUILDING CONSULTANTS, INC.
 P.O. Box 230, Valrico, FL 33595
 Phone No.: 813.659.9197
 FBPE Registry No. 9813

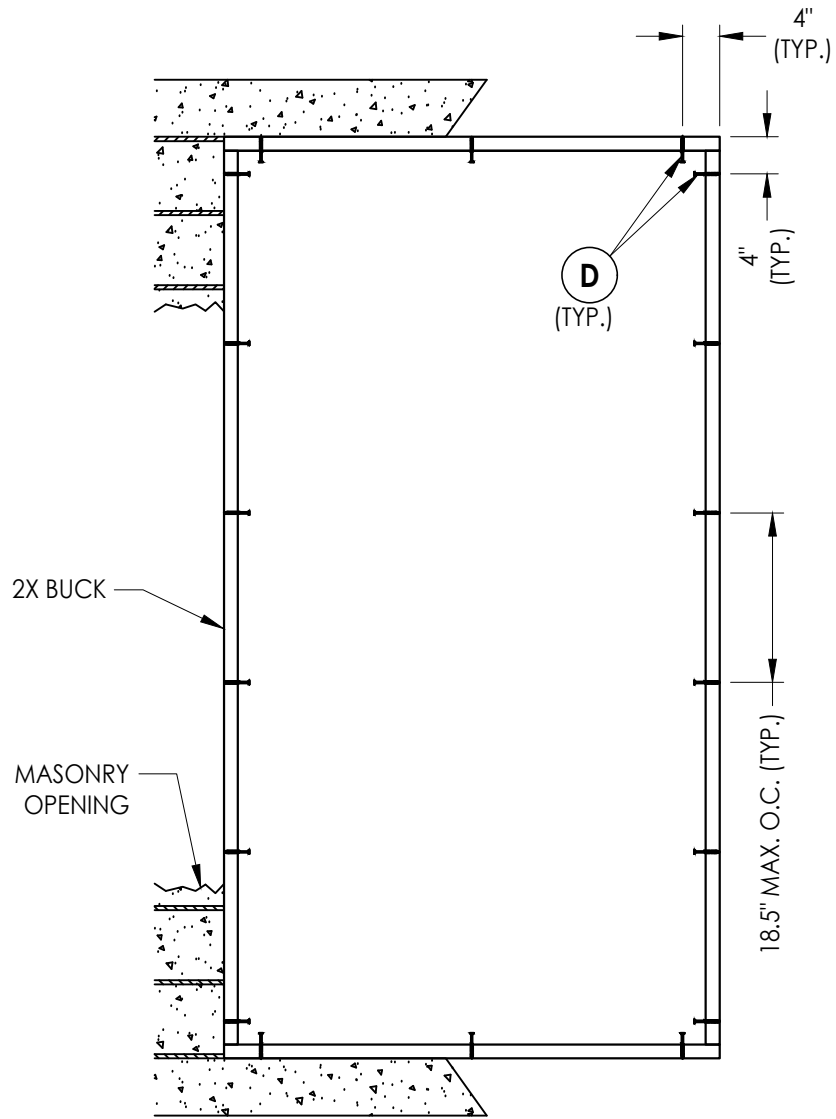
PRODUCT: 400/500 SERIES SIDELITE WINDOW

PART OR ASSEMBLY: HORIZONTAL & VERTICAL CROSS SECTIONS

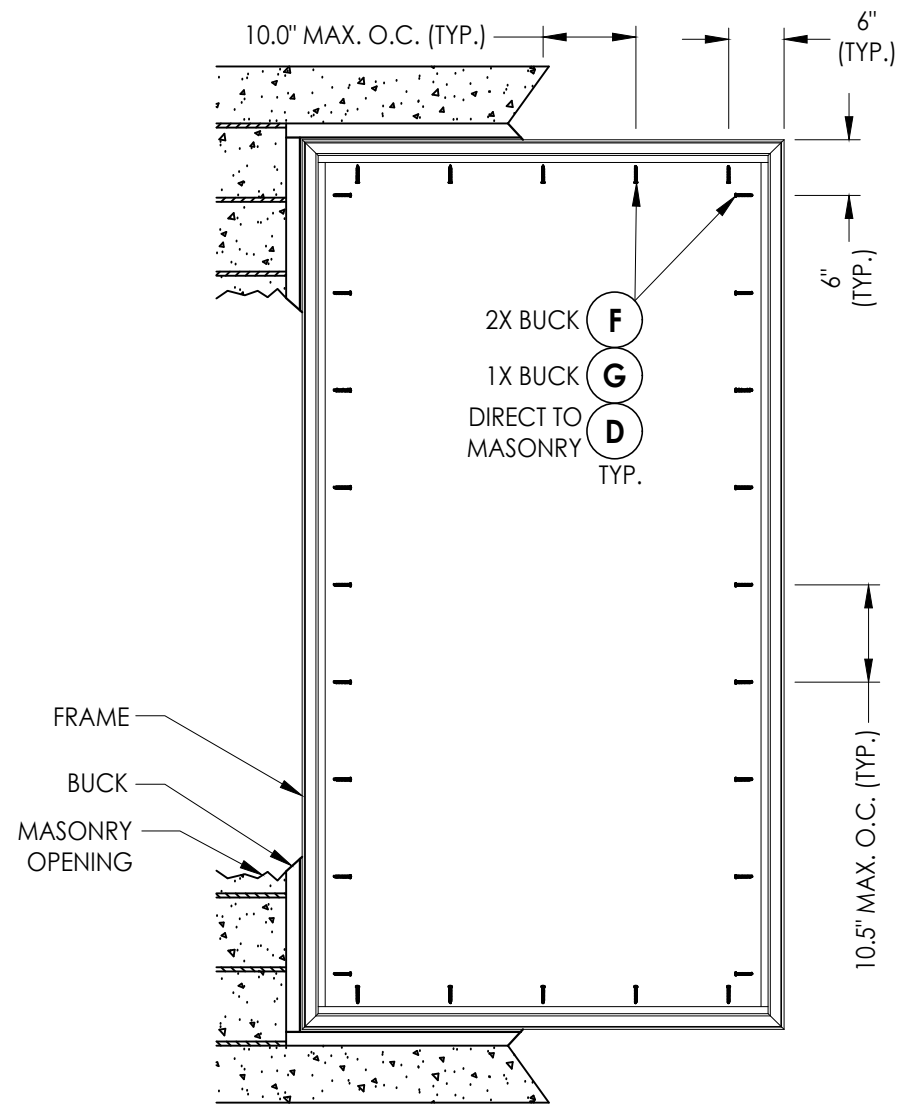
NO.	DATE	REVISIONS	BY
4	7/06/23	UPDATE TO 8TH ED. (2023) FBC	LFS
3	7/06/20	UPDATE TO 7TH ED. (2020) FBC	LFS
2	6/01/17	UPDATE TO 6TH ED. (2017) FBC	LFS
1	2/09/15	UPDATE TO 5TH ED. (2014) FBC	LFS

DATE: 8/18/14
 SCALE: N.T.S.
 DWG. BY: JK
 CHK. BY: LFS
 DRAWING NO.: FL-15816.11
 SHEET 2 OF 4

© 2014 R.W. BUILDING CONSULTANTS INC.



BUCK ANCHORING



FRAME ANCHORING

CONCRETE ANCHOR NOTES:

- Concrete anchor locations at the corners may be adjusted to maintain the min. edge distance to mortar joints.
- Concrete anchor locations noted as "MAX. ON CENTER" must be adjusted to maintain the min. edge distance to mortar joints, additional concrete anchors may be required to ensure the "MAX. ON CENTER" dimension are not exceeded.
- Concrete anchor table:

ANCHOR TYPE	ANCHOR SIZE	MIN. EMBEDMENT	MIN. CLEARANCE TO MASONRY EDGE	MIN. CLEARANCE TO ADJACENT ANCHOR
ITW TAPCON®	1/4"	1-1/4"	2"	4"
DeWALT ULTRACON®	1/4"	1-1/4"	1"	4"

WOOD SCREW INSTALLATION NOTES:

- Maintain a minimum 5/8" edge distance, 1" end distance, & 1" o.c. spacing of wood screws to prevent the splitting of wood.

Documents Prepared By:
Lyndon F. Schmidt
P.E. No. 43409

RW BUILDING CONSULTANTS, INC.
P.O. Box 230, Valrico, FL 33595
Phone No.: 813.659.9197
FBPE Registry No. 9813

PRODUCT:
400/500 SERIES
SIDELITE WINDOW

PART OR ASSEMBLY:
BUCK AND FRAME ANCHORING

NO.	DATE	BY
4	7/06/23	LFS
3	7/06/20	LFS
2	6/01/17	LFS
1	2/09/15	LFS

REVISIONS

DATE: 8/18/14

SCALE: N.T.S.

DWG. BY: JK

CHK. BY: LFS

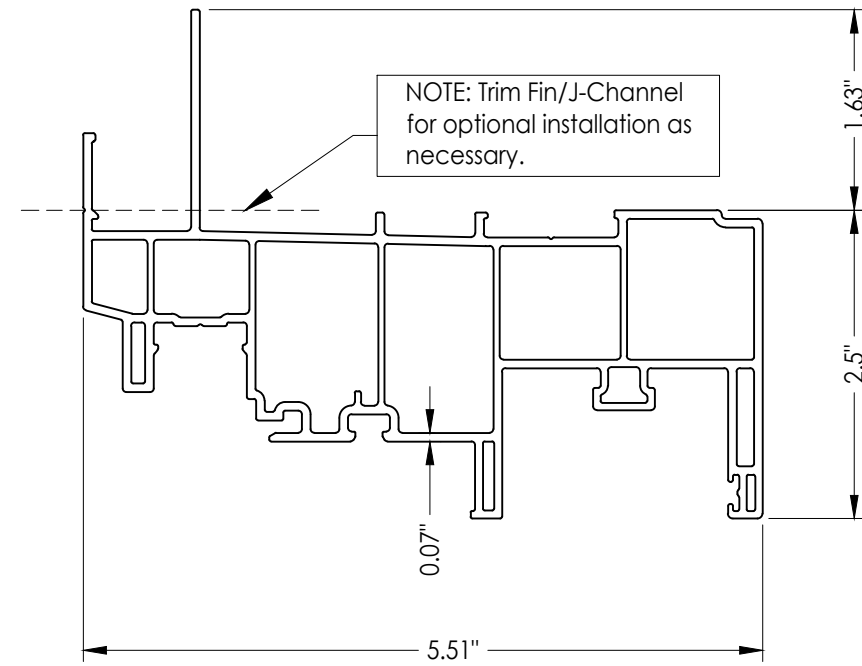
DRAWING NO.:

FL-15816.11

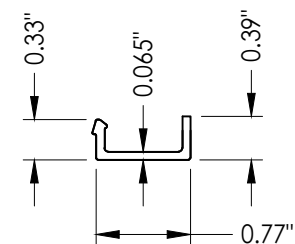
SHEET 3 OF 4

BILL OF MATERIALS		
ITEM #	DESCRIPTION	MATERIAL
A	1X BUCK (SG >= 0.42)	WOOD
B	2X BUCK (SG >= 0.42)	WOOD
C	1/4" MAX. SHIM SPACE	-
D	1/4" X 2-3/4" PFH DeWALT OR ITW CONCRETE SCREW	STEEL
E	MASONRY - 3,000 PSI MIN. CONCRETE CONFORMING TO ACI 301 OR HOLLOW BLOCK CONFORMING TO ASTM C90	CONCRETE
F	#8 X 2-3/4" PH SMS (1-3/16" MIN. EMBEDMENT)	STEEL
G	1/4" X 3-3/4" PFH DeWALT OR ITW CONCRETE SCREW	STEEL
1	FRAME (8090)*	PVC
2	3/4" GLAZING BEAD (5772)*	PVC
3	WOOD BLOCK ANCHOR (9882)	WOOD
4	FIXED SASH (7587)*	PVC
5	1" GLAZING BEAD (5771)*	PVC
6	BUTTON CAP (9667)*	PVC
7	#8 X 7/8" PH SMS	STEEL
8	BOTTOM FIXED PANEL SUPPORT (8001)*	PVC
9	ANCHOR BLOCK (7003)	-
10	#8 X 2" TRUSS HEAD, QUADREX SCREW	STEEL

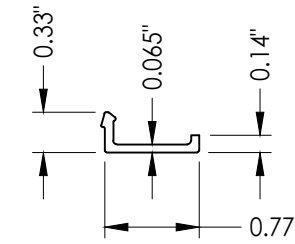
* THE APPROVED WHITE RIGID PVC EXTERIOR EXTRUSIONS FOR WINDOWS ARE TO BE PRODUCED BY EXTRUDERS LICENSEES IN "AAMA CERTIFICATION PROGRAMS FOR RIGID PVC EXTRUSIONS".



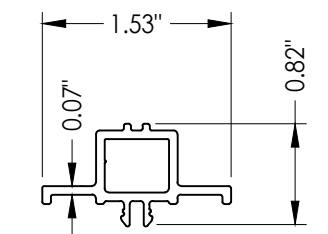
1 FRAME



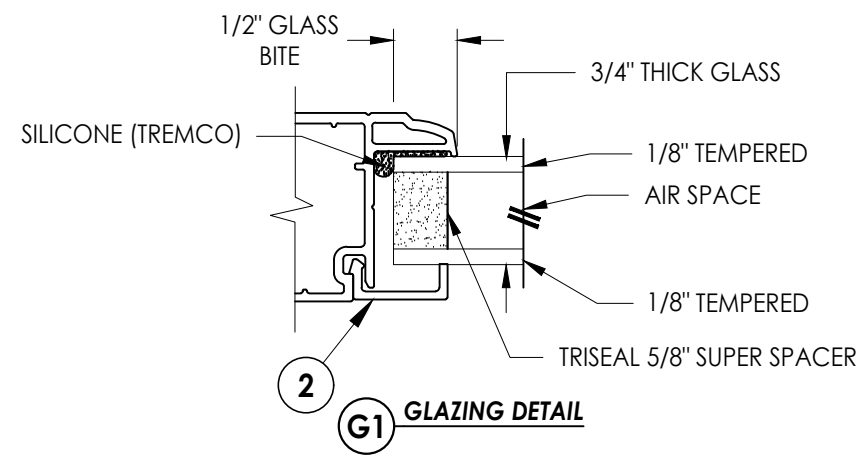
2 3/4" GLAZING BEAD



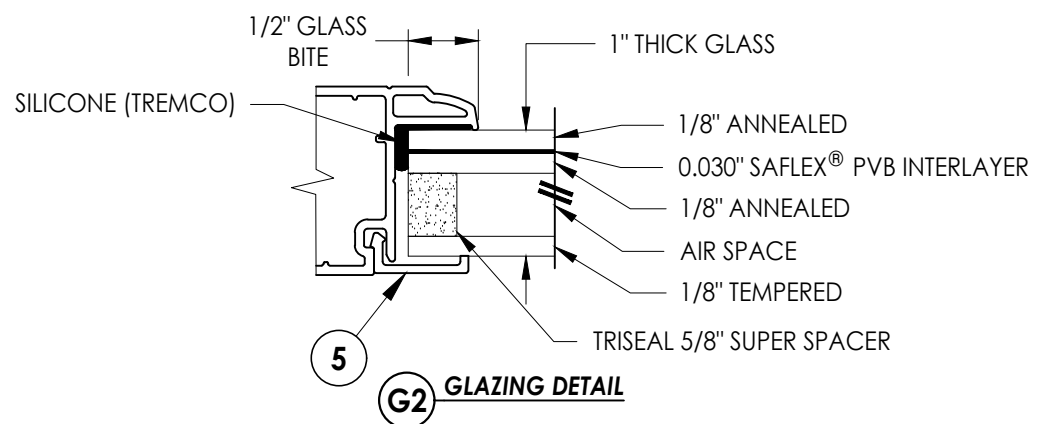
5 1" GLAZING BEAD



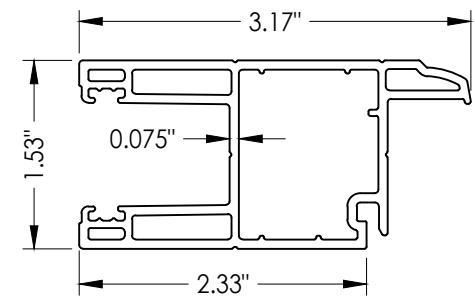
8 BOTTOM FIXED PANEL SUPPORT



G1 GLAZING DETAIL



G2 GLAZING DETAIL



4 FIXED SASH

Documents Prepared By:
Lyndon F. Schmidt
P.E. No. 43409

RW BUILDING CONSULTANTS, INC.
P.O. Box 230, Valrico, FL 33595
Phone No.: 813.659.9197
FBPE Registry No. 9813

PRODUCT: 400/500 SERIES
SIDELITE WINDOW

PART OR ASSEMBLY:
BILL OF MATERIALS, COMPONENTS
AND GLAZING DETAILS

NO.	DATE	BY
4	7/06/23	UPDATE TO 8TH ED. (2023) FBC LFS
3	7/06/20	UPDATE TO 7TH ED. (2020) FBC LFS
2	6/01/17	UPDATE TO 6TH ED. (2017) FBC LFS
1	2/09/15	UPDATE TO 5TH ED. (2014) FBC LFS

DATE: 8/18/14
SCALE: N.T.S.
DWG. BY: JK
CHK. BY: LFS
DRAWING NO.: FL-15816.11
SHEET 4 OF 4